

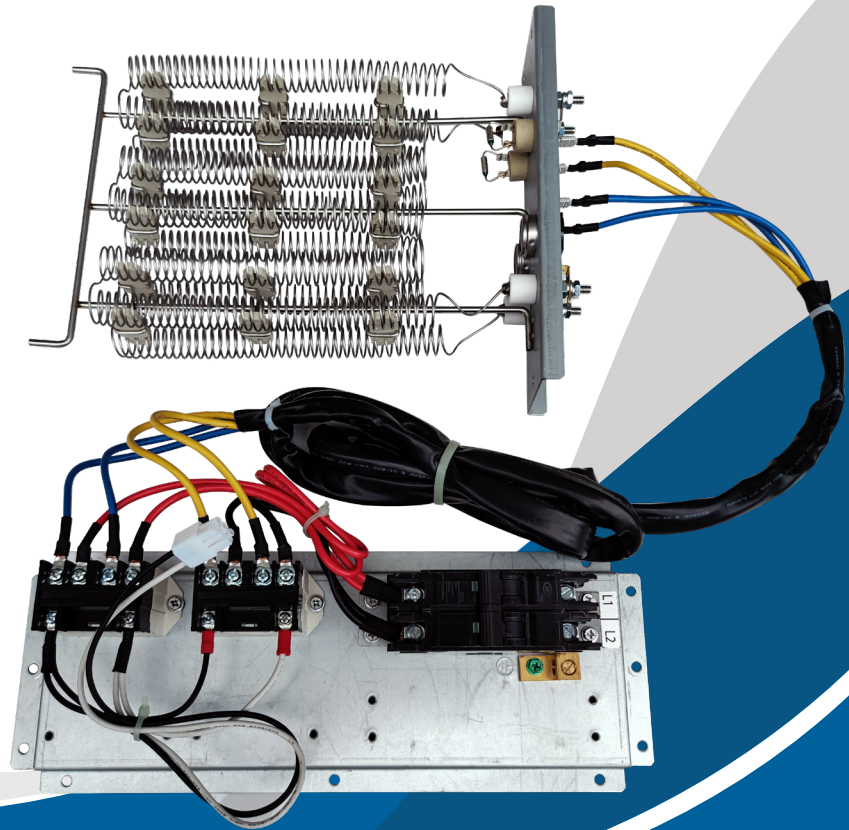
VersaPro™

Packaged Heat Kit

Installation Manual

MODELS:

- MHK05PB
- MHK07PB
- MHK10PB
- MHK15PB
- MHK20PB



Read this manual carefully before installation and keep it where the operator can easily find it for future reference.

Due to updates and constantly improving performance, the information and instructions within this manual are subject to change without notice.

Version Date: 03/22/24

Please visit www.mrcool.com/documentation to ensure you have the latest version of this manual.

CONTENTS

1 SAFETY PRECAUTIONS	1
2 PRE-INSTALLATION	7
2.1 Inspection	7
2.2 Compatibility	7
2.3 Clearances.....	7
2.4 Unit Components.....	8
3 INSTALLATION	14
4 SPECIFICATIONS	20
5 ELECTRICAL DIAGRAM	24

Safety Precautions



Recognize this symbol as an indication of important safety information.

WARNING

- These instructions are intended as an aid to qualified licensed service personnel for proper installation adjustment and operation of this unit.
- Read these instructions thoroughly before attempting installation or operation.
- Failure to follow these instructions may result in improper installation, adjustment, service, or maintenance possibly resulting in fire, electrical shock, property damage, personal injury, or death.
- Please read carefully and keep in a safe place for future reference by service personnel.

Pre-Installation

2.1 Inspection

As soon as unit is received, it should be inspected and noted for possible shipping damage during transportation. It is carrier's responsibility to cover the cost of shipping damage. Manufacturer or distributor will not accept the claims from dealer for any transportation damage.

NOTE

The equipment described in this instruction should be installed by trained and experienced service personnel. A separate power supply line must be provided for use with optional electric heater. DO NOT try to connect electric heater with unit to a single power supply line.

2.2 Compatibility

Electric heaters should be installed only in designated packaged units. All electric heaters and their accessories are designed for applications used for cooling with electric heaters and heat pumps with electric heaters. This instruction covers the installation of the following electric heaters:

- MHK05PB
- MHK07PB
- MHK10PB
- MHK15PB
- MHK20PB

2.3 Clearances

FOR 20KW ELECTRIC HEATER MINIMUM CLEARANCE OF 1" ALL SIDES FOR THE FIRST 3' AND ZERO INCHES THEREAFTER, FOR ALL OTHER HEATERS, ZERO INCH CLEARANCE ALL OF DUCT.

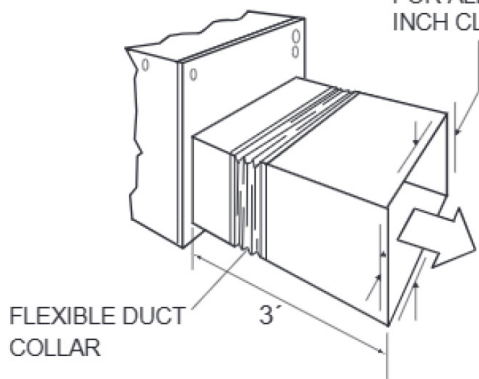


Figure 2.3- Clearances

Direction	Distance (in.)	Direction	Distance (in.)
Top ¹	60	Right	12
Front	30	Left	12
Rear	18 ²	Bottom ³	0

Table 2.3- Unit Clearance

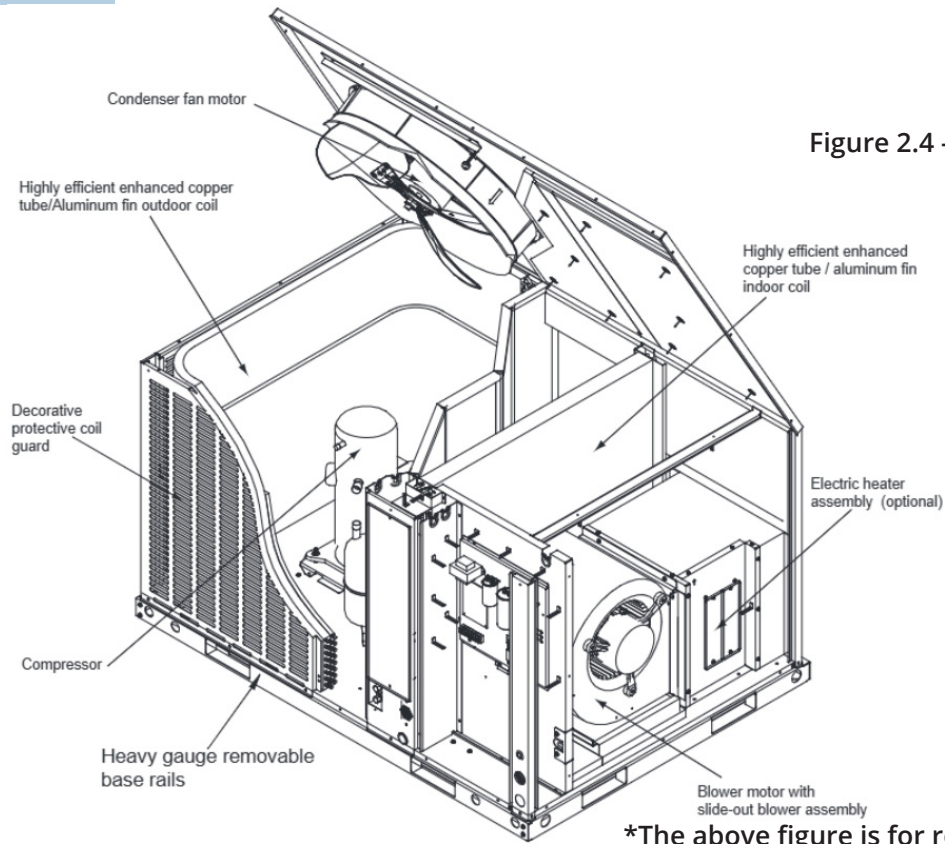
Duct Clearance: 1 inch clearance for all sides of air supply duct.

1. Units must be installed outdoors. Over-hanging structure or shrubs should not obscure condenser air discharge outlet.
2. Units may be installed on combustible floors made from wood or class A, B, or C roof covering materials.

NOTE

The electric heat accessory should be installed before the supply air duct is attached to the supply air opening flanges.

2.4 Unit Components



Installation

Install the electric heat kit as follows:

1. Disconnect all electric power to the unit.
2. Unscrew all screws around the panel. Remove the panel of the unit. (See Figs. 3.1 & 3.2.)



Figure 3.1

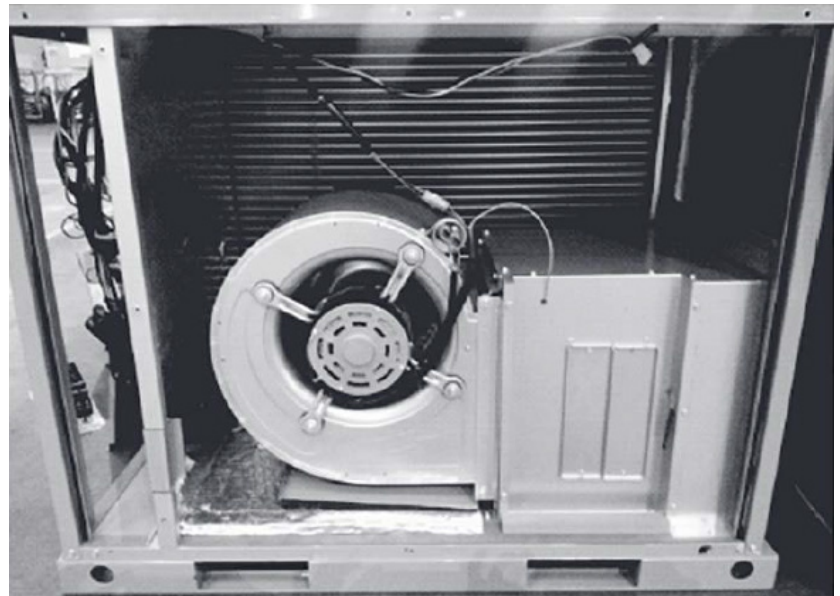


Figure 3.2

3. Remove electric heat kit wiring panel by removing two screws. (See Figures 3.3 & 3.4.)



Figure 3.3



Figure 3.4

4. From blower plenum, remove two screws (four screws for MHK10PB, MHK15PB, MHK20PB) and cover plate that you can discard after heater is installed. (See Figures 3.5 & 3.6)

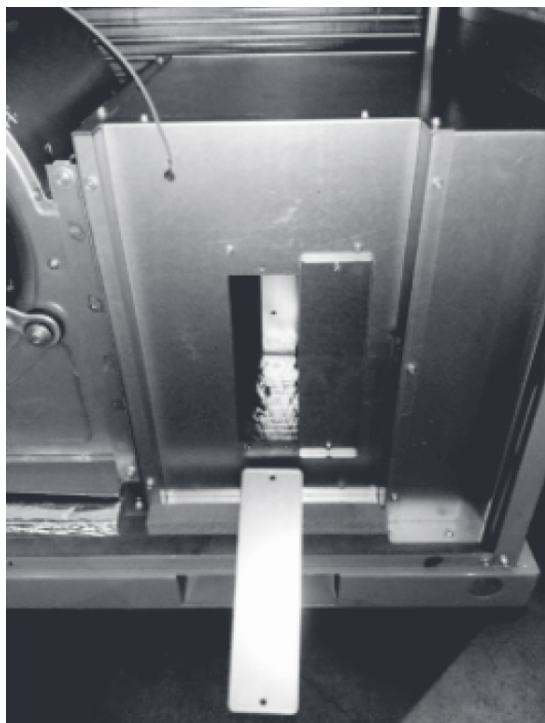


Figure 3.5 (For MHK05PB, MHK07PB, MHK10PB)

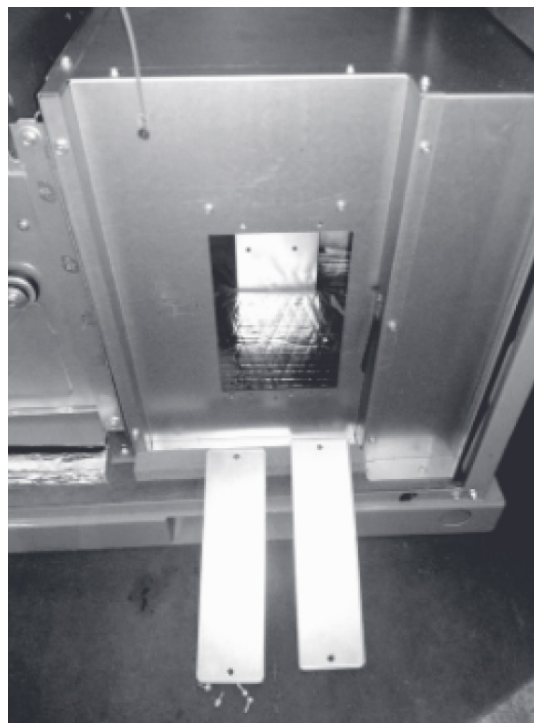
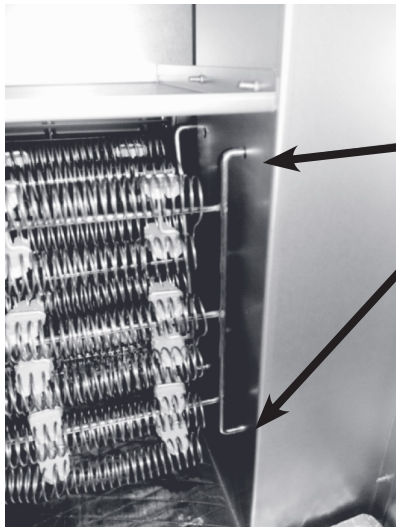


Figure 3.6 (For MHK15PB, MHK20PB)

1 SAFETY

- Slide electric heater into the slot. Ensure heater support rod is placed into the hole of blower component. (See Figure 3.7.)



Place heater rod into the hole of the blower compartment

Figure 3.7

- Carefully align the plate of electric heat kit with the holes of the blower plenum. Use the screws removed in step 4 and accessory pouch, then tighten the screws to hold the electric heat kit to the plenum. (See Figures 3.8 & 3.9.)



Figure 3.8



Figure 3.9

- Tighten wires with clips in the bar, and bundle loose wires with fastening belt. (See Figures 3.10 & 3.11.)

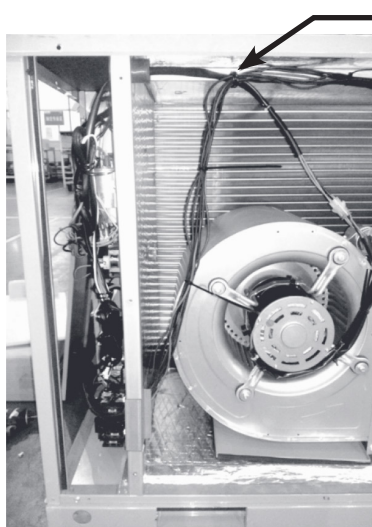


Figure 3.10

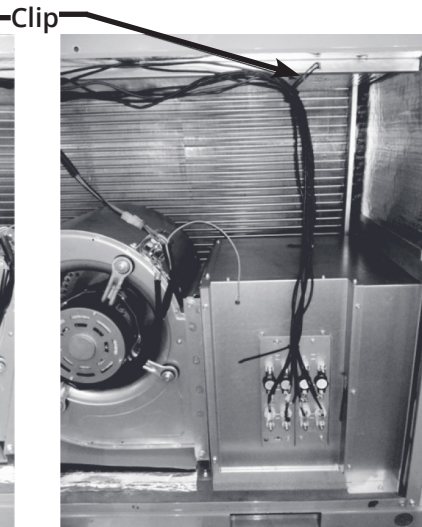


Figure 3.11

8. Use the screws from Step 3 to reinstall wiring panel. (See Figure 3.12.)

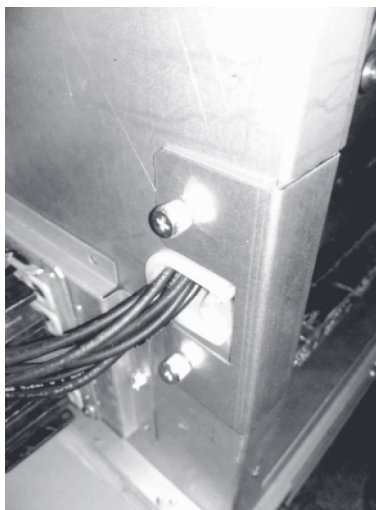


Figure 3.12

9. Secure the electric heat kit electric control installation board with the four screws provided. (See Figures 3.13 & 3.14.)

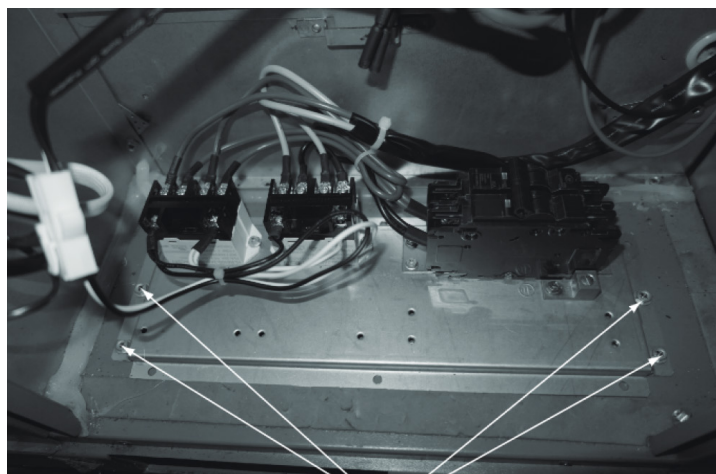


Figure 3.13
(For 24/30/36K)

screws

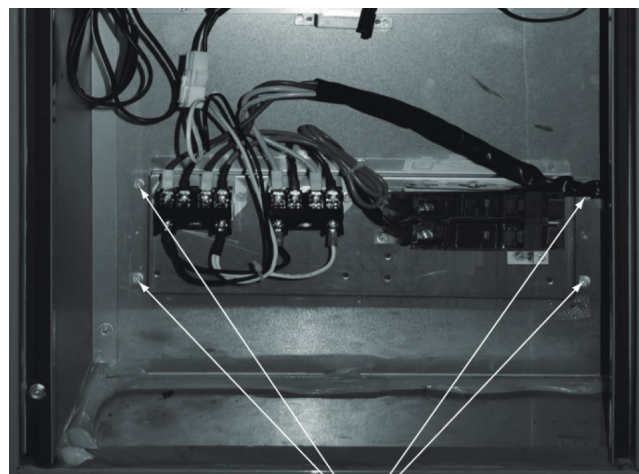


Figure 3.14
(For 42/48/60K)

screws

10. High Voltage Supply for heater kit must be routed through a separate H.V. Knockout. See Figure 3.1 for location.
11. Carefully inspect all wire connections and secure any loose wiring.
12. Remount the panel.
13. Restore all power supply.



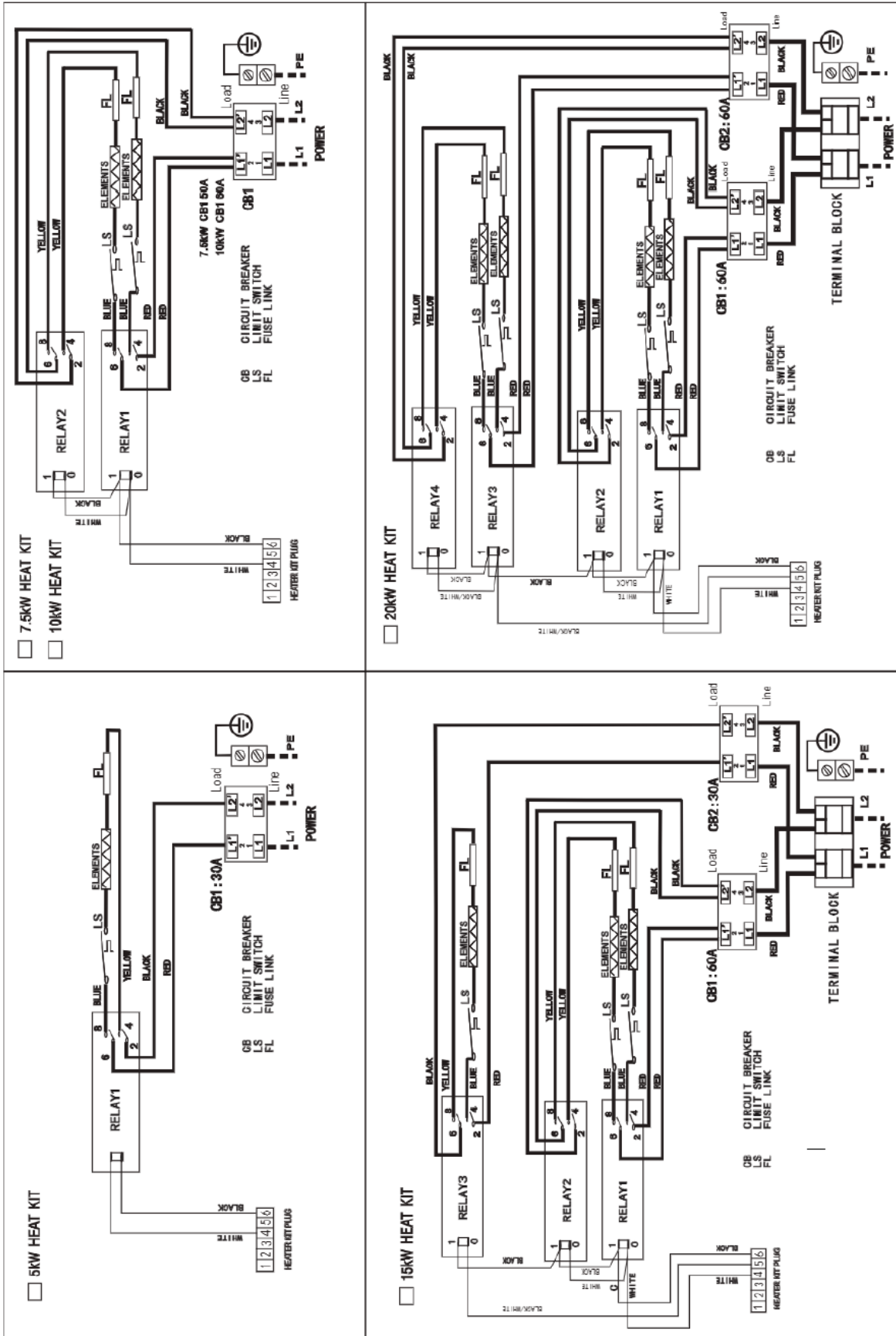
WARNING

- After reconnecting all wires, check all screws of the breaker and ensure all screws are properly tightened.
- Failure to do so will result in breaker malfunction, fire, death, personal injury, or property damage.

Specifications

Size (Tons)	Volt	Compressors (Each)			OD Fan Motors (each)	Supply Blower Motor	Unit Circuit		Heater Circuit						
		RLA	LRA	MCC			FLA	FLA	MCA	Max Fuse/Breaker Size	Model	KW	Stages	Amps	MCA
24 (2.0)	208/230-1-60	8.45A	34.8A	14.87A	0.68A	2.46A	13.7	20	MHK05PB	3.8/5	1	18.1/20.8	23/26	25/30	
									MHK07PB	5.6/7.5	1	27.1/31.3	34/39	35/40	
30 (2.5)	208/230-1-60	12.0A	59.93A	21.7A	1.0A	4.1A	20.1	30	MHK10PB	7.5/10	1	36.1/41.7	45/52	45/60	
									MHK05PB	3.8/5	1	18.1/20.8	23/26	25/30	
36 (3.0)	208/230-1-60	13.0A	75A	22.9A	1.0A	4.1A	21.4	30	MHK07PB	5.6/7.5	1	27.1/31.3	34/39	35/40	
									MHK10PB	7.5/10	1	36.1/41.7	45/52	45/60	
42 (3.5)	208/230-1-60	15.2A	112.3A	24.8A	1.67A	2.8A	23.5	30	MHK15PB	11.3/15	2	54.2/62.5	68/78	70/80	
									MHK05PB	3.8/5	1	18.1/20.8	23/26	25/30	
48 (4.0)	208/230-1-60	17.3A	108A	28.5A	1.67A	3.6A	26.9	40	MHK07PB	5.6/7.5	1	27.1/31.3	34/39	35/40	
									MHK10PB	7.5/10	1	36.1/41.7	45/52	45/60	
60 (5.0)	208/230-1-60	21.5A	125A	34.3A	1.67A	6.0A	34.6	50	MHK15PB	11.3/15	2	54.2/62.5	68/78	70/80	
									MHK20PB	15/20	2	72.2/83.3	90/104	90/110	

Electrical Diagram





MRCOOL®
COMFORT MADE SIMPLE

VersaPro™
Packaged Heat Kit
Installation Manual

The design and specifications of this product and/or manual are subject to change without prior notice.
Consult with the sales agency or manufacturer for details.